

TITLE:
TYPICAL LAYOUT PLAN OF
STEPPED CALSSROOM
TOTAL = 63 SEATS (Revised)

SCALE:

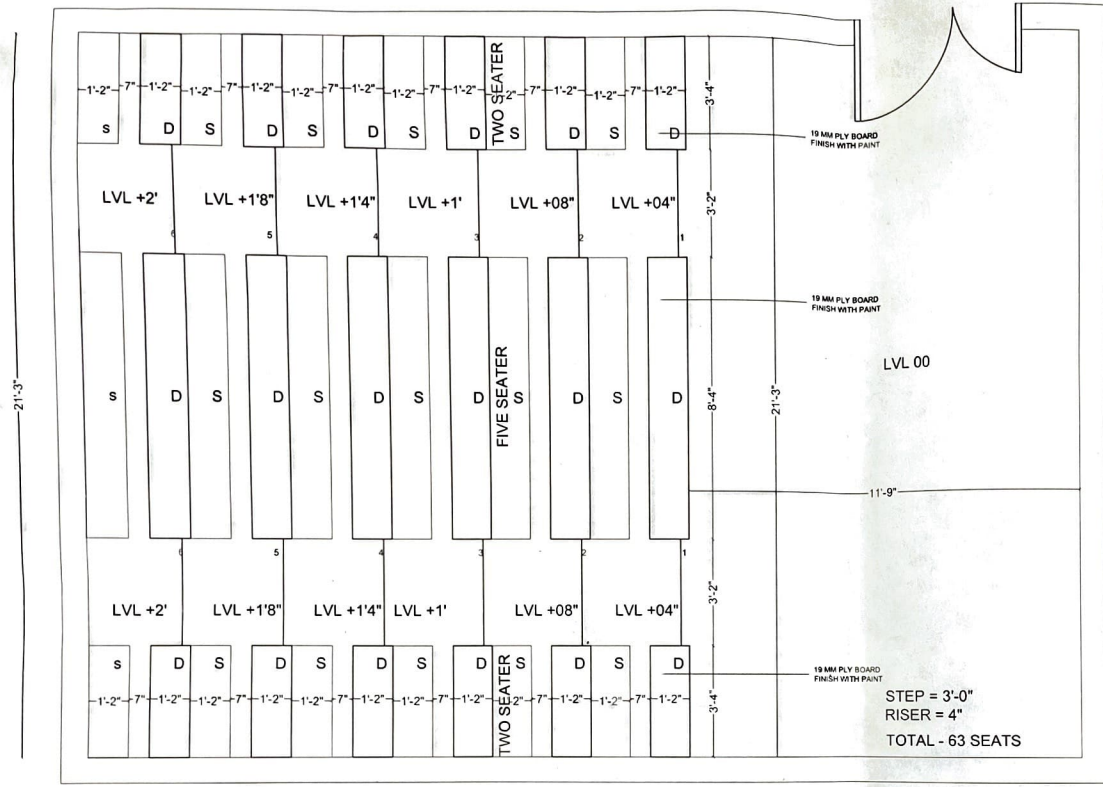
D - DESK
S - SEAT
MS - MILD STEEL PIPE

- MATERIAL SPECIFICATIONS:
- (ERW) 1.5" X 1.5" SQUARE PIPE (MIN. WEIGHT 18 KG/6M STD. LENGTH)
 - M.S. SQUARE PIPE 1.5" X 1.5"
 - M.S. FLAT 35 X 5MM
 - 19MM X 6MM MOULDING (GOLA)
 - 17 NO HEAD LESS NAILS
 - FEVICOL (MARINE)
 - 80 NO SAND PAPER

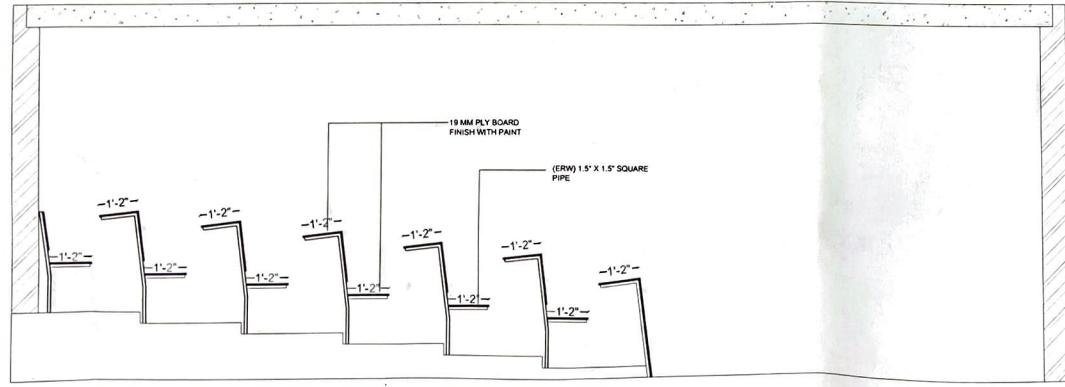
DEALT BY :
AR. MANVEER SINGH
ARCHITECTURE & PLANNING
DEPARTMENT

CHECKED BY:
DR. BHUPINDERPAL SINGH DHOT
ARCHITECTURE & PLANNING
DEPARTMENT

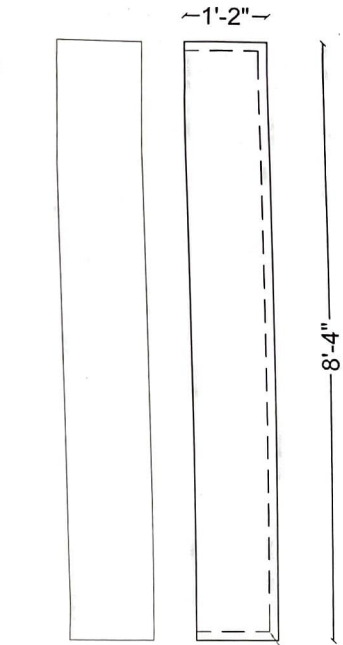
Head
GZS School of
Architecture and Planning
MRSPTU, Bathinda.



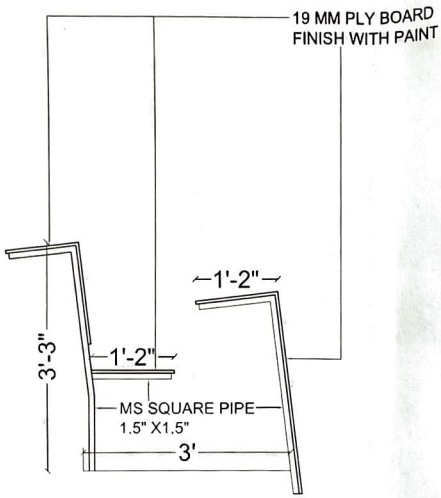
FURNITURE LAYOUT PLAN



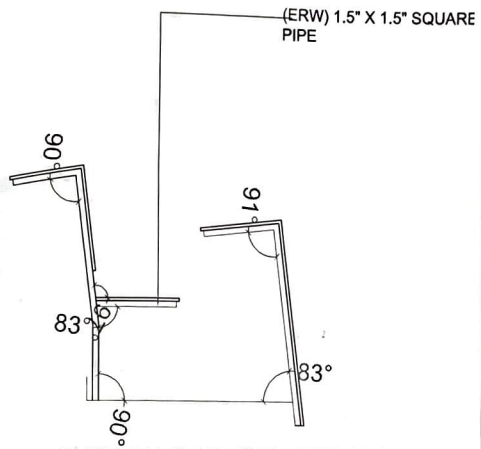
ELEVATION OF BENCHES



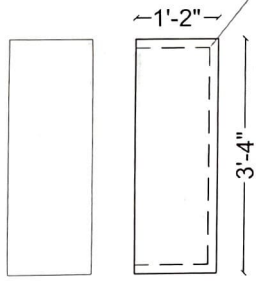
5 SEATER BENCH



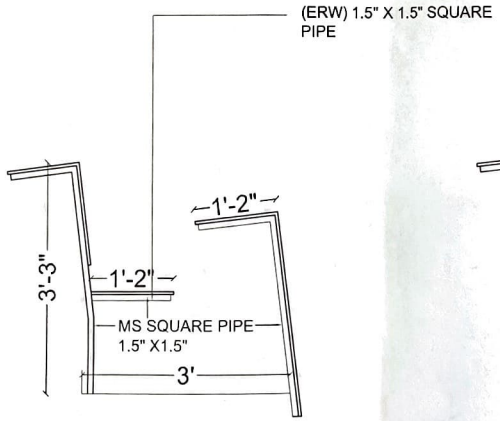
DETAILING OF BENCH



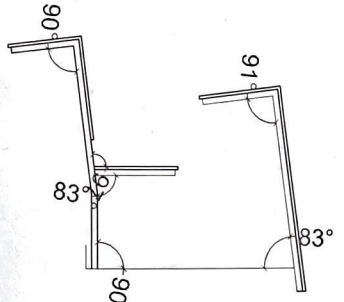
DETAILING OF BENCH



2 SEATER BENCH



DETAILING OF BENCH



DETAILING OF BENCH

TITLE:
TYPICAL LAYOUT PLAN OF
STEPPED CALSSROOM
TOTAL = 63 SEATS

SCALE:

- MATERIAL SPECIFICATIONS:
1. (ERW) 1.5" X 1.5" SQUARE PIPE (MIN. WEIGHT 18 KG/6M STD. LENGTH)
 2. M.S. SQUARE PIPE 1.5" X 1.5"
 3. M.S. FLAT 35 X 5MM
 4. 19MM X 6MM MOULDING (GOLA)
 5. 17 NO HEAD LESS NAILS
 6. FEVICOL (MARINE)
 7. 80 NO SAND PAPER

DEALT BY :
AR. MANVEER SINGH
ARCHITECTURE & PLANNING
DEPARTMENT

CHECKED BY:
DR. BHUPINDERPAL SINGH DHOT
ARCHITECTURE & PLANNING
DEPARTMENT

Head
GZS School of
Architecture and Planning
MRSPTU, Bathinda.